



External Vacuum Support for Duplex/Inverted Disks

OVERVIEW

The term Zensor[®] refers to the additional components ZOOK supplies attached onto a standard ZOOK Graphite Rupture Disk which enables the disk to electrically indicate a ruptured condition.

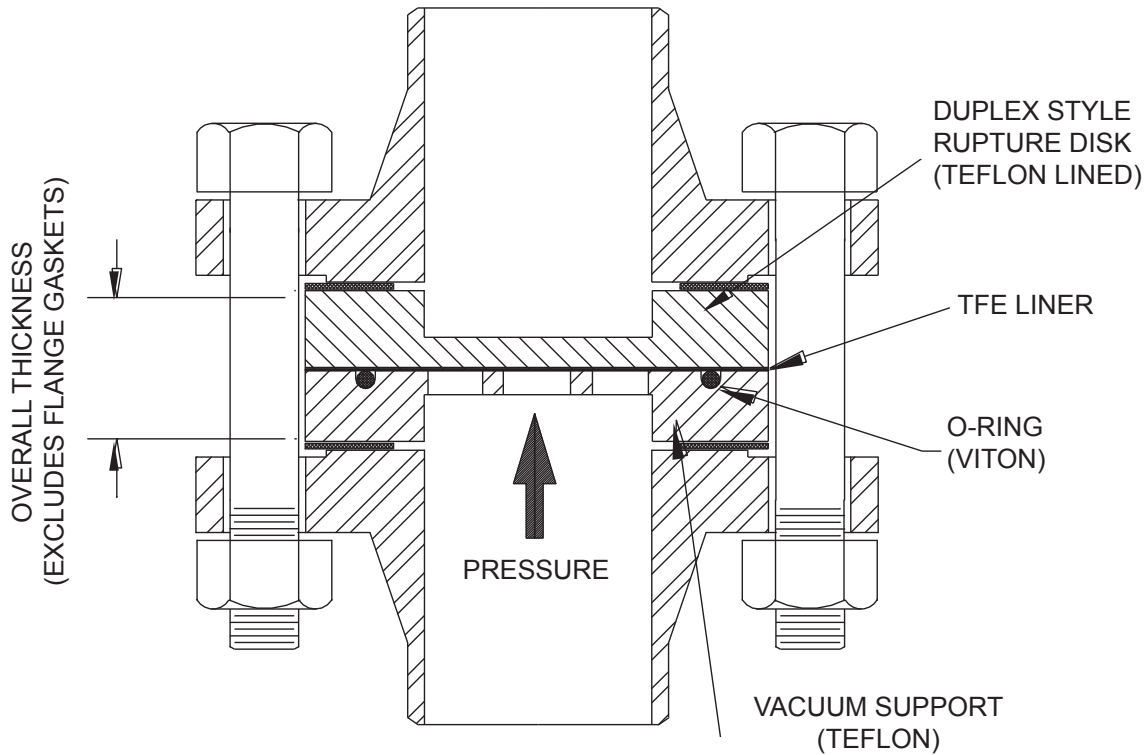
- Before the development of ZOOK's external vacuum support, few options existed for the user that required a rupture disk in a highly corrosive, low-pressure, full vacuum application. The best option was a TFE Mono style disk with a vacuum support. The external vacuum support is a device that offers low rated Duplex rupture disks the ability to withstand full vacuum. By offering a Duplex disk with an external vacuum support, the user can now meet all three requirements.
- The external vacuum support may only be used with a ZOOK Duplex style graphite rupture disk.
- Duplex style disks rated less than 25 psig will not withstand full vacuum without this support.
- Duplex style disks rated 25 psi or greater do not require this support as they will withstand a full vacuum.
- The external vacuum support installs on the process side (vacuum side) of a Duplex disk.
- The vacuum support consists of a solid plate of TFE with an O-ring groove machined into the support surface. A Viton O-ring creates the seal between the process side of the Duplex disk and the external vacuum support. The plate is precision drilled and has optimum free flow area. Consult ZOOK for availability of other O-ring materials. Other support materials are available upon request.
- The external vacuum support is reusable.
- The external vacuum support is provided with an adhesive label with the following information; material of construction, manufacturer, flow direction, size and part number.

CAUTION!

- Prior to reinstallation, a visual inspection must be performed to verify the condition of the support. No damage to the support sealing surfaces or O-ring groove should be evident.
- The O-ring should be replaced each time the external vacuum support is reused. Replacement O-rings are available from ZOOK.
- All sealing faces must be clean, flat and parallel.
- Refer to drawing ZP 3842B for proper orientation.
- Flow direction on tags of disk and external vacuum support must both point in the proper vent direction.
- Users should consider the vacuum support free area while performing sizing calculations. Refer to drawing ZP3842B for free area.
- Proper use of this device and/or determination of adequate flow are the responsibility of the user.



External Vacuum Support for Duplex/Inverted Style



DISK SIZE (In.)	FREE AREA (Sq. In.)	OVERALL THICKNESS (In.)
*1	0.34	1.75
1.5	0.76	1.75
2	1.36	1.75
3	3.87	1.75
4	5.77	1.75
6	14.78	1.75
8	25.81	2.00
*10	32.70	3.25
*12	47.25	3.50

*Not stock items



EXTERNAL VACUUM SUPPORT FOR DUPLEX-INVERTED STYLE DISKS_042018

Visit us at www.zookdisk.com

SERVING AMERICA, CENTRAL & SOUTH AMERICA

16809 Park Circle Drive
Chagrin Falls, Ohio 44022
United States

Toll Free: +1 800 543 1043
Phone: +1 440 543 1010
Fax: +1 440 543 4930
E-mail: sales@zookdisk.com

SERVING EUROPE, MIDDLE EAST & AFRICA

Navigation House, Bridge St.
Killamarsh, Sheffield, S21 1AL
United Kingdom

Phone: +44 (0) 1909 560999
Fax: +44 (0) 1909 560860
E-mail: sales.europe@zookdisk.com

SERVING CANADA

4400 South Service Road
Burlington, Ontario, L7L 5R8
Canada

Toll Free: +1 800 370 6057
Phone: +1 905 681 2885
Fax: +1 905 681 8838
E-mail: sales.canada@zookdisk.com

SERVING ASIA PACIFIC

Unit No. 23A-05, Menara Landmark
No.12, Jalan Ngee Heng
80000 Johor Bahru, Johor,
Malaysia

Phone: +60 (7) 2910099
Fax: +60 (7) 2910096
E-mail: sales.asia@zookdisk.com



Safety through **knowledge** and **performance**.